

MASCOT



**High End
Technology**

**Tight
Shutoff**

Reliability

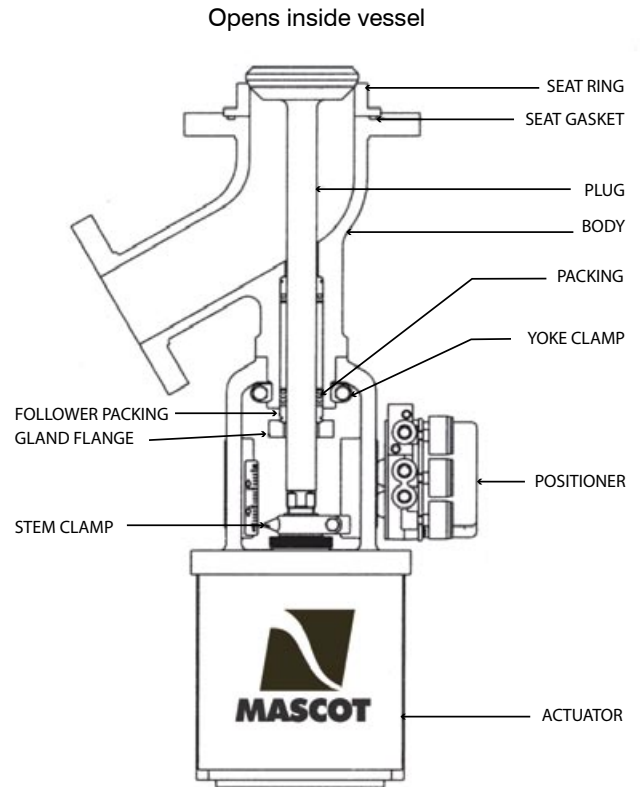
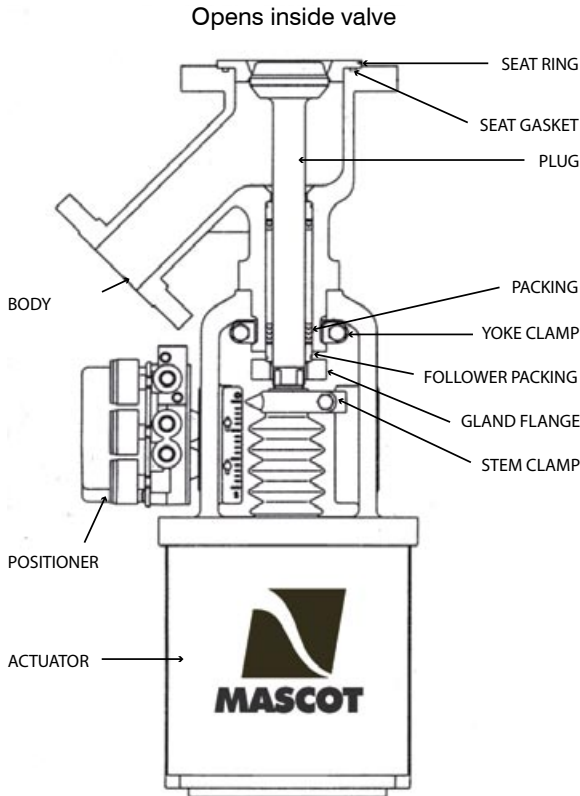
**Expertise you
can trust**

FLUSHFLO Control Valves



High Performance Flush Bottom Discharge Valve

FLUSHFLO is a high performance flush bottom discharge valve suitable for tank and vessel draining. It is suitable in all castable alloy, jacketed valve body and glass Teflon lining up to 6.0



Model	FLUSHFLO		
Type	Flush bottom discharge.		
Application	For tank and vessel draining.		
Inlet connection	Suitable for mounting on vessel manhole pad flange.		
Discharge connection	at 45°/60°/90°.		

Size	1.0" x 0.75"	1.5" x 1.0"	2.0" x 1.5"
	3.0" x 2.0"	4.0" x 3.0"	6.0" x 4.0"
	8.0" x 6.0"	10.0" x 8.0"	12.0" x 10.0"
	Option is available for same size of inlet and discharge.		
Pressure Class	Up to ASME #300.		
End Connection	Flanged BS/ASME/JIS/DIN.		

Body Material	All castable Alloys, Glass Teflon lining up to 6.0" Jacketed valve body is available.
Plug	Large seat contact area. Open inside vessel or inside vessel or inside valves body.
Plug Guiding	Heavy duty double top stem guiding.
Characteristics	Equal percentage, linear on-off.
Seat	Replaceable, metal or teflon soft seat.
Bonnet	Standard bolted.
Gland Packing	PTFE, braided PTFE and grafoil.
Actuators	Pneumatic - spring cylinder/double acting cylinder.
Electric	Single phase, three phase.
Accessories	Positioner (pneumatic & electro-pneumatic) for throttling duty solenoid valve, limit switches, hand wheel.